

DC-DC转换器

MSDC 系列转换器

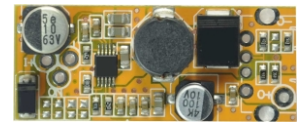


● 描述Description

Usually, battery voltage on ebike is 24/36/48V, but some electric applications like LED light or others need 5v or 6v supplier power, This converter is a good solution for it. it can convert source voltage(7-60v) to 5v or 6v or others special output voltage.

The main features of this converter is small and exquisite, wide source entering, high conversion efficiency; Reverse connection protection, Over-Current protection, Short-Circuit protection.

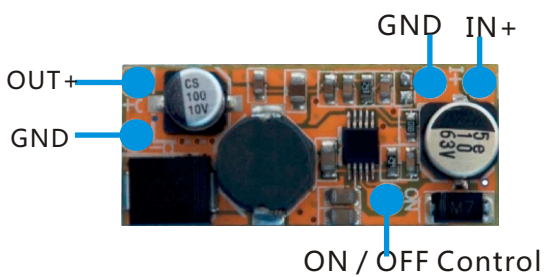
本模块是一个DC-DC转换模块，可以将电池电压转换成5/6/12V或其它电压，为电动车的其它电子部件提供稳定工作电源。宽输入电压范围，反接保护，过流保护，过温保护。



● 技术参数Specification

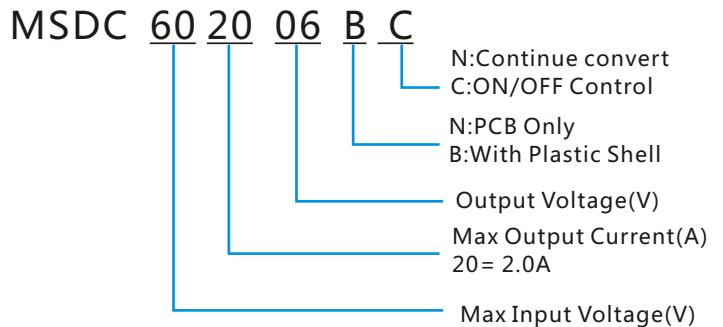
型号Model	: MDCxxxxx	转换效率Efficiency	: > 92%
输入电压Input:	: 7-60VDC	工作温度Temperature	: -20°C + 60°C
输出电压Output	: 5VDC±0.25	极限温度Over heating	: 150°C
最大电流Max Current	: 2000mA	尺寸Board Size	: 32 * 15 * 7mm
内阻Resistance	: < 0.2Ω	外壳Shell Size	: 44 * 21 * 10mm(With shell)

● 接线Diagram



● 订货Order

Model define table:型号定义



Notice:

Read instructions carefully informations below is must be declared clearly before order.

- 输入电压Input voltage
- 输出电压Output voltage
- 最大电流Max output current
- 控制On/off control mode wanted or not
- PCB或带壳Need a Shell or PCB only
- 其它Other special requirements

● 包装Pack List

转换模块DC Converter x1