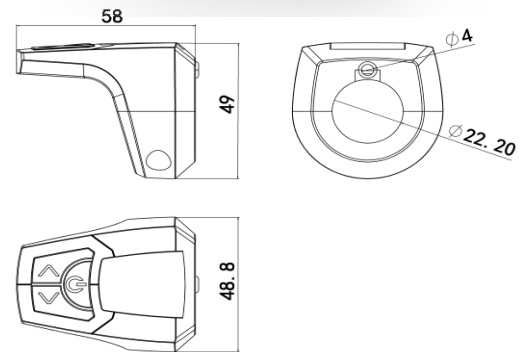


● Description

This is a centre control panel with GUI interface for Ebike drive system, OLED screen is more bright and help rider read info more easily, Silicon button bring out a nice touch feeling while operating; Informations below such as Speed, Battery Voltage, current, ODO, TRIP, Status of all accessories etc. can be show on the screen.

More than 80 pieces menu items can be selected such as wheel size, motor type, battery type etc., user can change these parameters for different drive system.

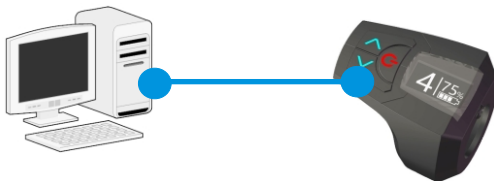


● Specification

Mode	: OLED-01
Screen	: 0.96Inc OLED dot matiks
Button	: Sillicon(Red/Blue Backlight)
Power	: 15-60VDC/10mA
Communication	: Rs232
Housing Material	: Intensive ABS
Weight	: 48(g)
Customization	:Valibale

● Debug APP

User can change some settings related with different applications of display by this APP



● Picture Load APP

There have a memory inside display for saving 2 pictures, user can load special pictures by this APP, these pictures can be show at power on/off period;

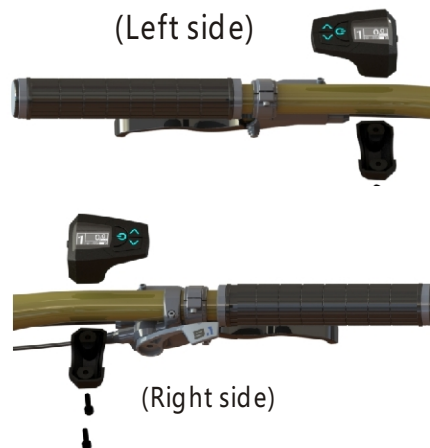
● Display Copy

Display can copy all the parameters from another display, user only need to handle it as the guide show on screen



● How to Fix

Display can be fixed at either Left or right side of handbar, please change the correct FIX POSITION menu item value after fixed



● How to order

Items below must be declared clearly before order.
 -- Voltage / Cable length/Connector type
 --Others

DISPLAY

TFT Colorful Screen



● Description

This is a centre control panel with a TFT colorful screen for ebike drive system, transparent silicon rubber button with LED back-light, GUI interface, digital communicating interface. 3 font color solution and 3 colorful skins are presented, a built-in light sensor and auto adjust the screen back light, and power on or off the light according to ambient intensity;

Those informations such as Speed, Battery Voltage, Current, ODO, TRIP, Status of accessories etc. can be show on the screen with different color;

Plenty setting menu items are available for users to set the parameters for different application. for different Drive system or different requirements.

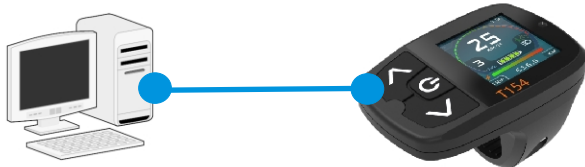


● Specification

- Mode : T-154-1
- Screen : 1.54" TFT
- Button : Sillicon(Red/Blue Backlight)
- Power : 15-60VDC/10mA
- Communication : UART/RS232/CAN
- Housing Material : ABS+PC
- Weight : 58(g)
- Customization : Valibale

● Debug APP

Some settings related with display such as password, fix position of display, skin& font coloretc. can be changed by this APP



● Colorful Picture Load APP

There have 2 default pictures can be shown when display power-on or off, User can load some personalized pictures to replace these original pictures by this APP



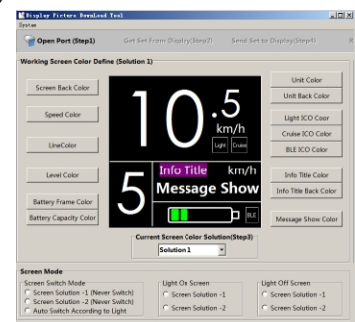
● How to Fix

Display can be fixed at either Left or right side of handbar, please change the correct FIX POSITION menu item value after fixed



● Screen& Font Color APP

The color of each item such as speed, level, battery indicator, trip etc. can be redefined by this APP, user can preset 3 color solutions by this APP



● How to order

Items below must be declared clearly before order.

- Voltage / Cable length/Connector type
- Others

DISPLAY

TFT Colorful Screen

T154-2

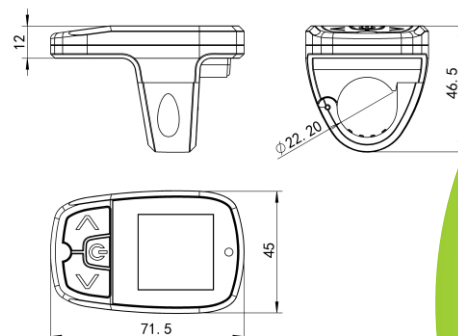


● Description

This is a centre control panel with a TFT colorful screen for ebike drive system, transparent silicon rubber button with LED back-light, GUI interface, digital communicating interface. 3 font color solution and 3 colorful skins are presented, a built-in light sensor and auto adjust the screen back light, and power on or off the light according to ambient intensity;

Those informations such as Speed, Battery Voltage, Current, ODO, TRIP, Status of accessories etc. can be show on the screen with different color;

Plenty setting menu items are available for users to set the parameters for different application. for different Drive system or different requirements.

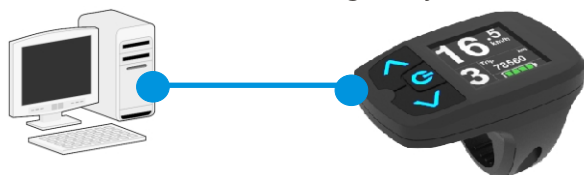


● Specification

Mode	: T-154
Screen	: 1.54" TFT
Button	: Sillicon(Red/Blue Backlight)
Power	: 15-60VDC/10mA
Communication	: UART/RS232/CAN
BlueTech	: Valid
Housing Material	: ABS+PC
Weight	: 58(g)
Customization	: Valibale

● Debug APP

Some settings related with display such as password, fix position of display, skin& font coloretc. can be changed by this APP,



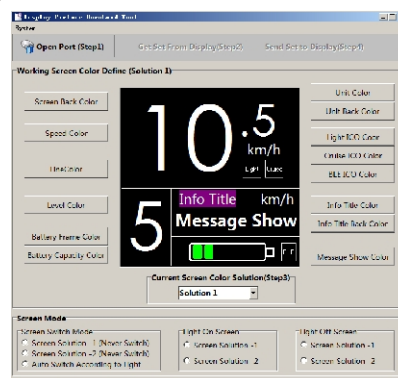
● How to Fix

Display can be fixed at either Left or right side of handbar, please change the correct FIX POSITION menu item value after fixed



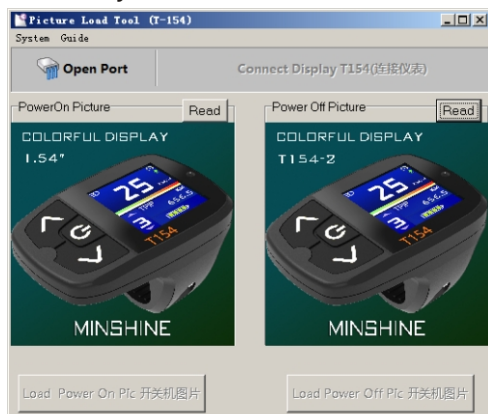
● Screen& Font Color APP

The color of each item such as speed, level battery indicator, trip etc. can be redefined by this APP



● Colorful Picture Load APP

There have 2 default pictures can be shown when display power-on or power-off, User can load some personalized pictures to replace these original pictures by this APP;



● How to order

Items below must be declared clearly before order.

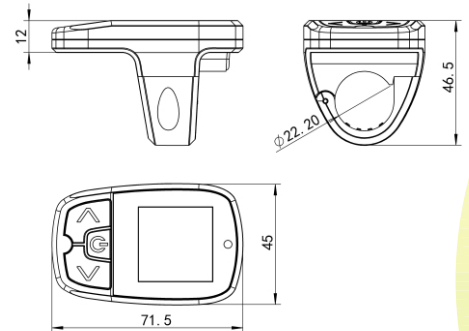
- Voltage / Cable length/Connector type
- Others

● Description

This is a centre control panel with a TFT colorful screen for ebike drive system, transparent silicon rubber button with LED back-light, GUI interface, digital communicating interface. 3 font color solution and 3 colorful skins are presented, a built-in light sensor and auto adjust the screen back light, and power on or off the light according to ambient intensity;

Those informations such as Speed, Battery Voltage, Current, ODO, TRIP, Status of accessories etc. can be show on the screen with different color;

Plenty setting menu items are available for users to set the parameters for different application. for different Drive system or different requirements.

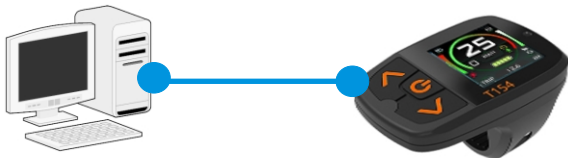


● Specification

- Mode : T-154-3
- Screen : 1.54" TFT
- Button : Silicon (Red/Blue Backlight)
- Power : 15-60VDC/10mA
- Communication : UART/RS232/CAN
- Housing Material : ABS+PC
- Weight : 58(g)
- Customization : Valibale

● Debug APP

Some settings related with display such as password, fix position of display, skin color etc. can be changed by this APP,



● Colorful Picture Load APP

There have 2 default pictures can be shown when display power-on or power-off, User can load some personalized pictures to replace these original pictures by this APP;



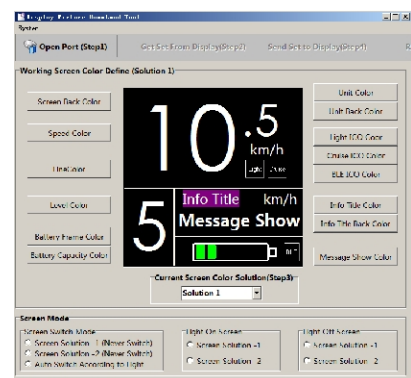
● How to Fix

Display can be fixed at either Left or right side of handbar, please change the correct FIX POSITION menu item value after fixed



● Screen & Font Color APP

The color of each item such as speed, level, battery indicator, trip etc. can be redefined by this APP



● How to order

Items below must be declared clearly before order.

- Voltage / Cable length / Connector type
- Others