



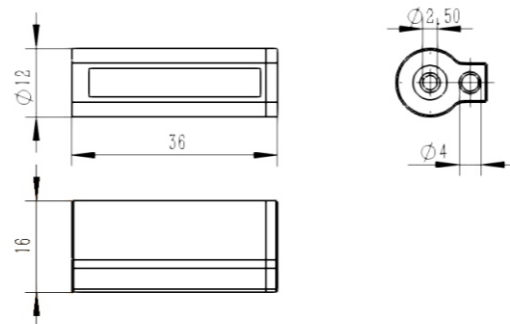
Description

This is an in-line brake sensor patented by Minshine, brake cable go through the sensor, the brake signal come out from sensor immediately when the brake cable moving, system can cut-off the power after got this signal.

The main features of this sensor is small size, stable and reliable working, also can be easily fixed at any position of brake cable.

Specification

• Model	: BK-1R/1F
• Power	: 5V/2mA
• Signal	: Active 0V : InActive 5V
• Housing material	: PPS
• Size	: 36x16x12mm
• Net Weight	: 6.8g



Install Guide

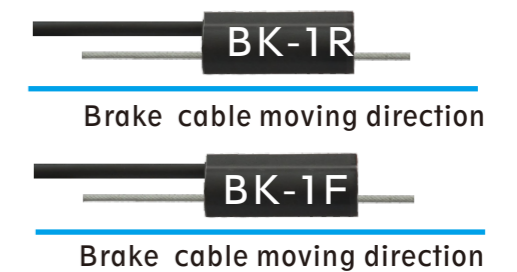


Interface

- Connector : SM3 or Other
- Red : VCC
- Black : GND
- White : Signal
- Indicator :
- Active : Red Light
- InActive : Light off

How to distinguish Model BK-1F and BK-1R

Its mostly depend on the position want to fix and the direction of the brake cable moving; (figure below)



How to order

- Items below must be declared clearly before order.
- Model & Quantity
- Connector type
- Sequence of 3 pins
- Cable length
- Other special requirements