

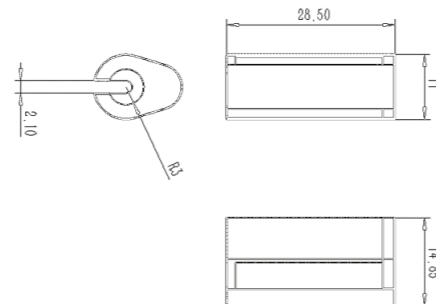


Description

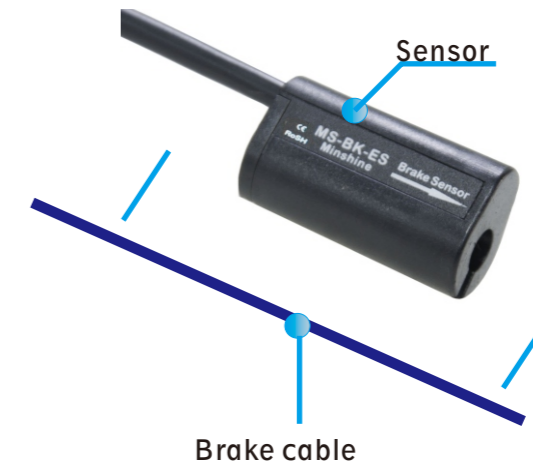
This is new in-line brake sensor, the main features is ,it has a gap on the sensor therefor brake cable can be easily put inside the sensor , the brake signal come out from sensor when brake cable moving .

Specification

- Model : BK-ES
- Signal : Active: switch off
InActive: switch on
- Housing material : Intensive ABS
- Size : 29x16x12mm
- Net Weight : 4.6g



Install Guide



Interface

Connector : SM2 or Others

How to order

Items below must be declared clearly before order..

- Model & Quantity
- Connector type
- Cable length
- Other special requirements