



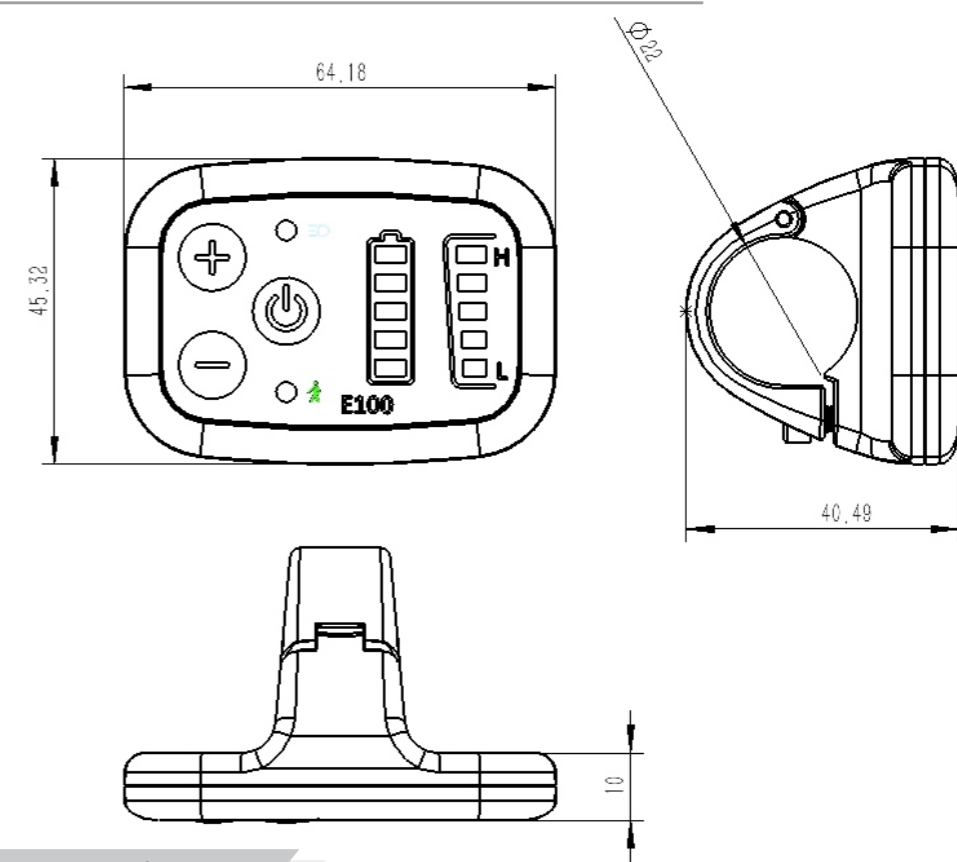
Description

This is a LED display for ebike system, you can change level to control the bike by this display, And you can check the battery capacity and level status by it, this is simple solution for ebike system.

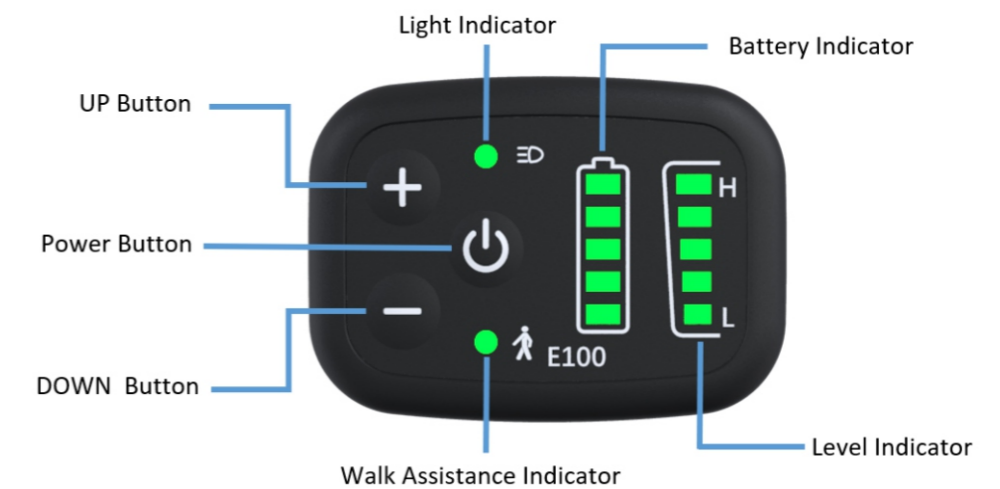
Specification

• Model	LED
• Button	Sillicon(Red/Blue Backlight)
• Power	15-60VDC/150mA
• Communication	UART/RS232/CAN
• Housing material	ABS
• Ingress Protection	IP65
• Customization	Valibale

Appearance and size



Appearance and size



How to order

Items below must be declared clearly before order

- Model & Quantity
- Connector type
- Cable length
- Other special requirements