



Description

This is a centre control panel with a TFT colorful screen for ebike drive system, transparent silicon rubber button with LED back-light, GUI interface, digital communicating interface. 3 font color solution and 3 colorful skins are presented, a built-in light sensor and auto adjust the screen back light, and power on or off the light according to ambient intensity;

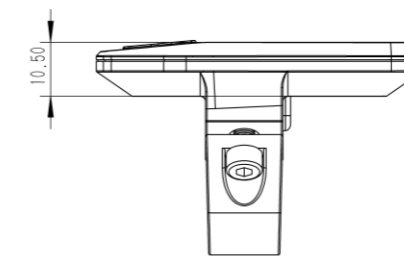
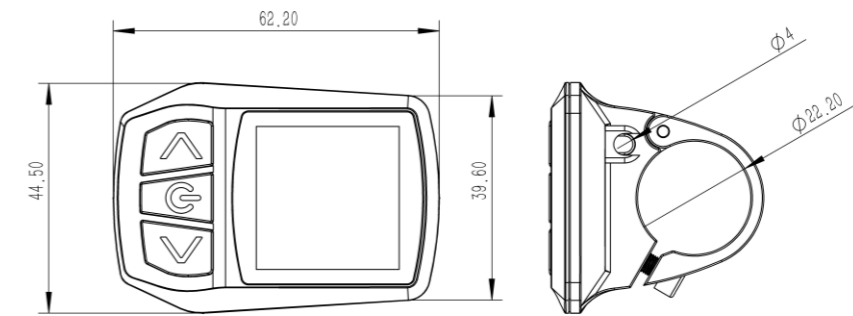
Those informations such as Speed, Battery Voltage, Current, ODO, TRIP, Status of accessories etc. can be show on the screen with different color;

Plenty setting menu items are available for users to set the parameters for different application. for different

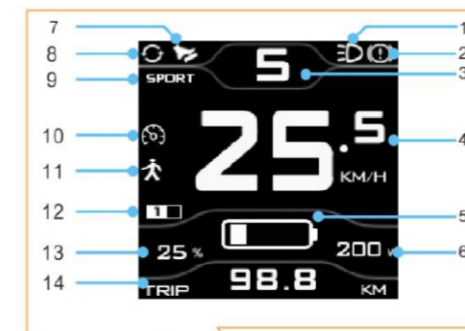
Specification

• Mode	M15
• Screen	1.54" TFT
• Button	Sillicon(Red/Blue Backlight)
• Power	15-60VDC/150mA
• Communication	UART/RS232/CAN
• Housing material	ABS
• Ingress Protection	IP65
• Customization	Valibale

Model



Working Screen Interface



1	Light indicator	10	Cruise Indicator
2	Brake indicator	11	Walk assistance Indicator
3	Assistance level indicator	12	Double battery system indicator
4	Speed	13	Drive value
5	Battery Indicator	14	Power indicator
6	Power Indicator	15	Power value
7	PAS indicator	16	Information indicator
8	Throttle indicator	17	UP button
9	Ride mode indicator		