



## Description

PAS-DH12 is a pedal assist sensor for bike, it was combined with 3 parts , a disc with 12 magnet , a sensor , and a Holding ring , do not need any tools to fix this sensor on bike , so installation will be more easily , it was widely used for ebike conversion kits .

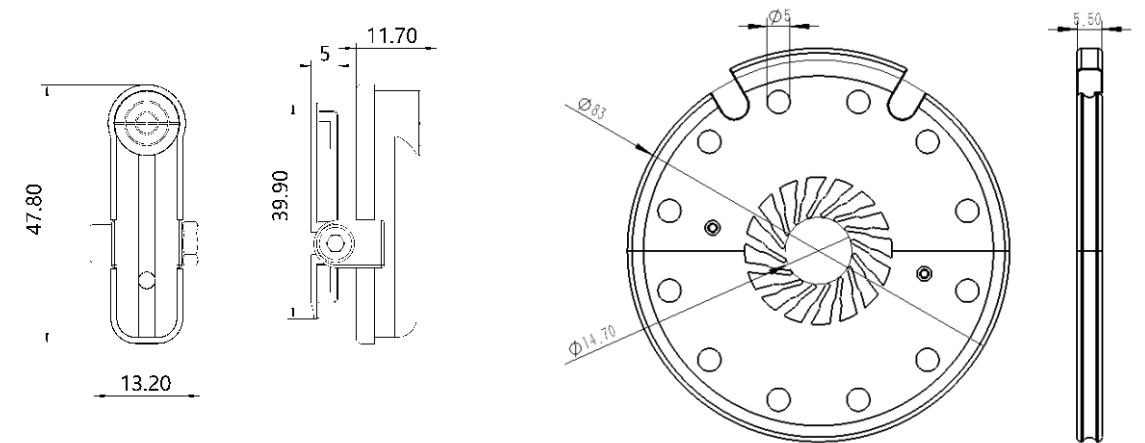
Automatic moving direction detect , so this sensor can check the moving direction while pedaling , sending out signal when forward and stop sending when backwards.

There have a indicator on sensor , it can help user to check the sensor is working or not .

## Specification

• Model	: PAS-DH12
• Power	: 5V/2mA
• Signal	: Forward-12Pules Per Circle Reverse -None
• Indicator	: Red Light
• Material	: PC
• Wegiht	:7.8g
• Axel Size	:15-15.8mm

## Appearance and size



## Installation Instructions

