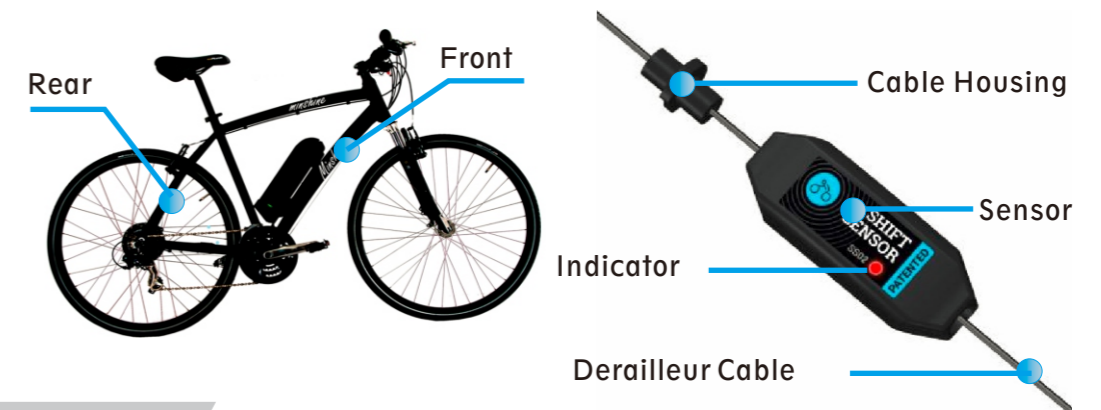




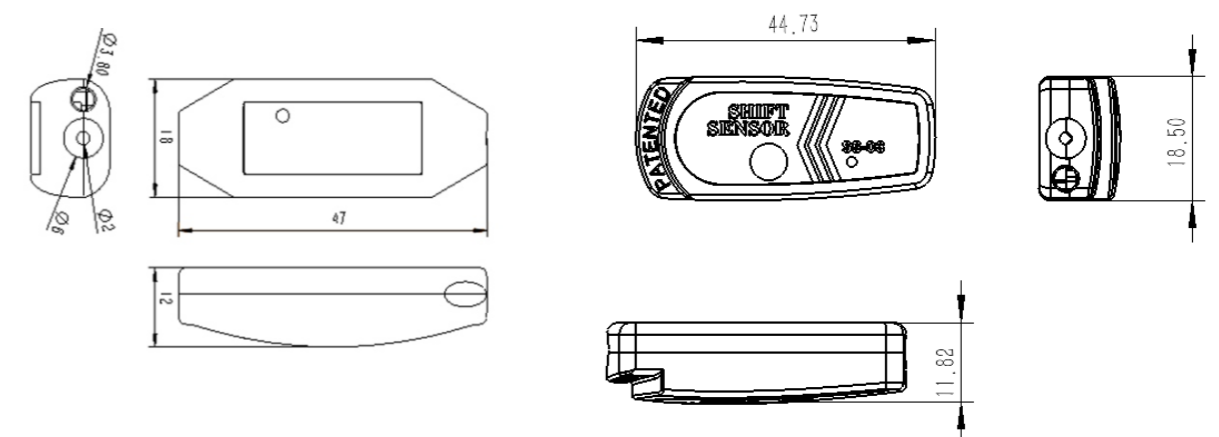
## Install Guide



## Interface

Connector : SM3 or other  
 Red : VCC  
 Black : GND  
 White : Signal  
 Indicator:  
 Standby : Green or Blue Flash  
 Action : Red light

## Appearance and size



SS-01/02

SS-03

## Description

This In-Line Shift sensor is fixed on derailleurs cable, a signal will be generated by this sensor while gear-changing process, bike control system can take action after getting this signal. This sensor is widely used on middle-drive system, smaller size, easily to fix, high sensitivity.

## Specification

- Mode : SS-01/SS-02/SS-03
- Power : 5V/1mA
- Signal : Pulse (See Reference)
- Protection : Short Circuit & Polarity Reversed Protection
- Housing Material : Intensive ABS
- Size : 47 x 18 x 12mm
- Weight : 6.4g