



## Description

This is a centre control panel with a TFT colorful screen for ebike drive system, transparent silicon rubber button with LED back-light, GUI interface, digital communicating interface. 3 font color solution and 3 colorful skins are presented, a built-in light sensor and auto adjust the screen back light, and power on or off the light according to ambient intensity;

Those informations such as Speed, Battery Voltage, Current, ODO, TRIP, Status of accessories etc. can be show on the screen with different color;

Plenty setting menu items are available for users to set the parameters for different

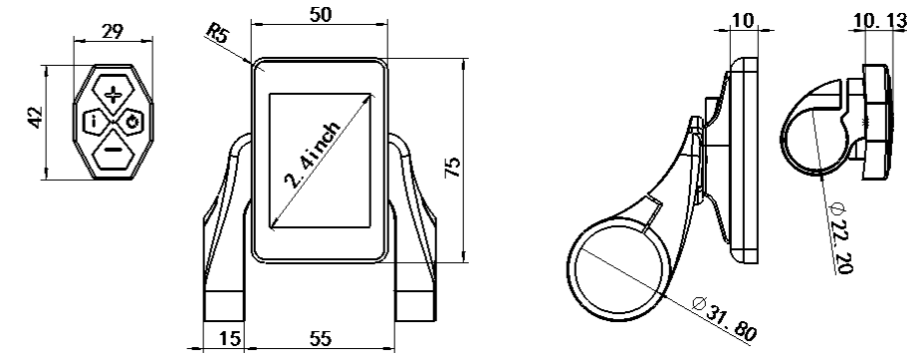
## Specification

• Mode	T24-H1
• Screen	2.4" TFT
• Button	Sillicon( Red/Blue Backlight )
• Power	15-60VDC/10mA
• Communication	UART/RS232/CAN
• Housing material	ABS+PC
• Weight	58(g)
• Customization	Valibale

## Model



## Appearance and size



## Working Screen Interface



1	Colock	13	Walk Assistance Indicator
2	Riding mode Indicator	14	Battery Indicator
3	Cruise indicator	15	Double battery system indicator
4	Assistance level indicator	16	Power indicator
5	PAS activated indicator	17	Power indicator
6	Drive indicator	18	Power value
7	Throttle activated indicator	19	Information indicator
8	Input Drive Value	20	UP button
9	Light indicator	21	INFO button
10	Brake indicator	22	DOWN button
11	Bike speed	23	POWER button
12	Bike speed	24	Light sensor